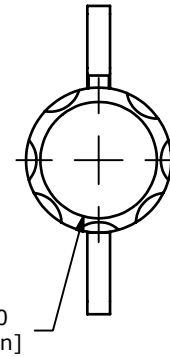
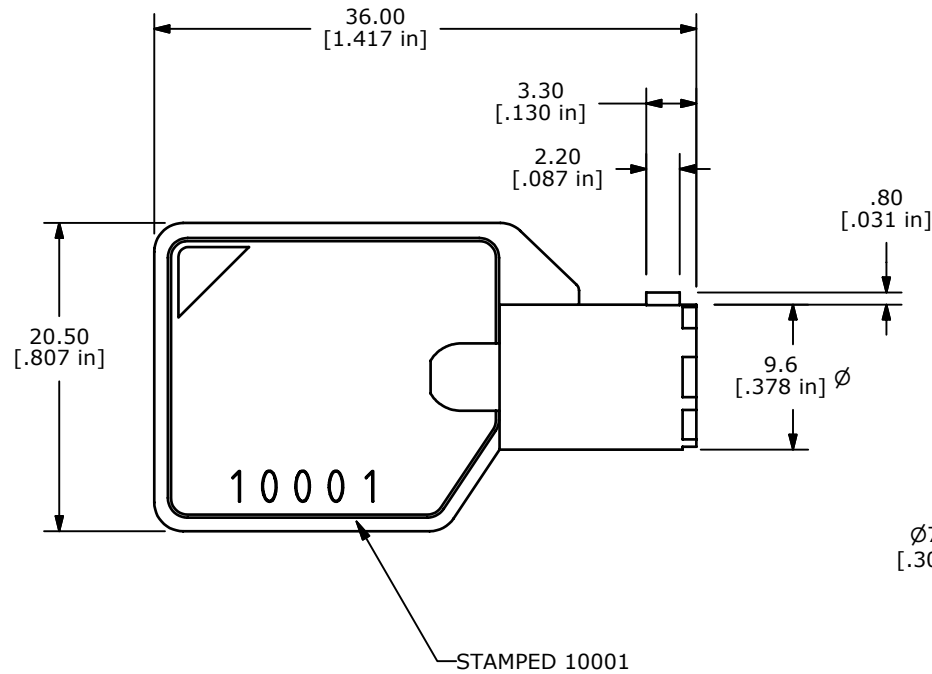
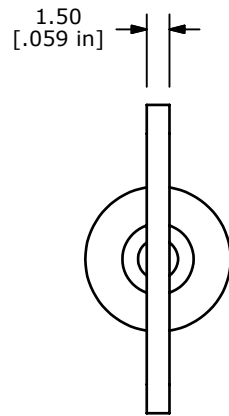


ISOMETRIC
SCALE 1.5 : 1



NOTE:
1. STEEL TUBULAR KEY, NICKEL PLATED



TITLE SPARE KO124 Key Code #10001

A	17946	RELEASE FOR PRODUCTION	1/29/08	BLR
REV	PCR NO	DESCRIPTION	DATE	BY

THE INFORMATION CONTAINED IN THIS DOCUMENT IS PROPRIETARY TO E-SWITCH AND IS NOT TO BE COPIED OR TRANSFERRED

SCALE	DATE	DR	DWG	REV
2:1	1/29/2008	BLR	K900019	A